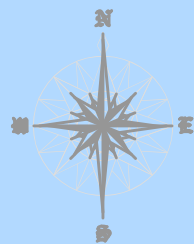


KIAMICHI FOOTHILLS ADDITION

A SUBDIVISION OF A PART OF SECTION 26, T2N, R20E,
 PUSHMATAHA COUNTY, OKLAHOMA.
 DEVELOPER: R & R DEVELOPMENT HOLDINGS LLC

Contact: JR Rudd @ 1-214-454-8167



FD 1/2" IP @
 NE CORNER
 OF THE NE/4
 SECTION 26

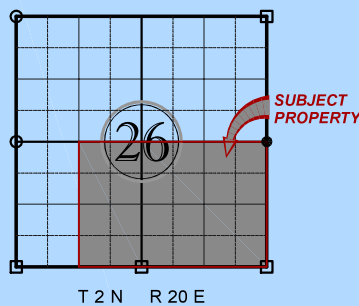
THE NW CORNER
 OF THE E/2 SW/4
 OF SECTION 26

THE NW CORNER
 OF THE SE/4
 OF SECTION 26

SET 1/2" IPC
 @ NE CORNER
 OF THE SE/4
 SECTION 26

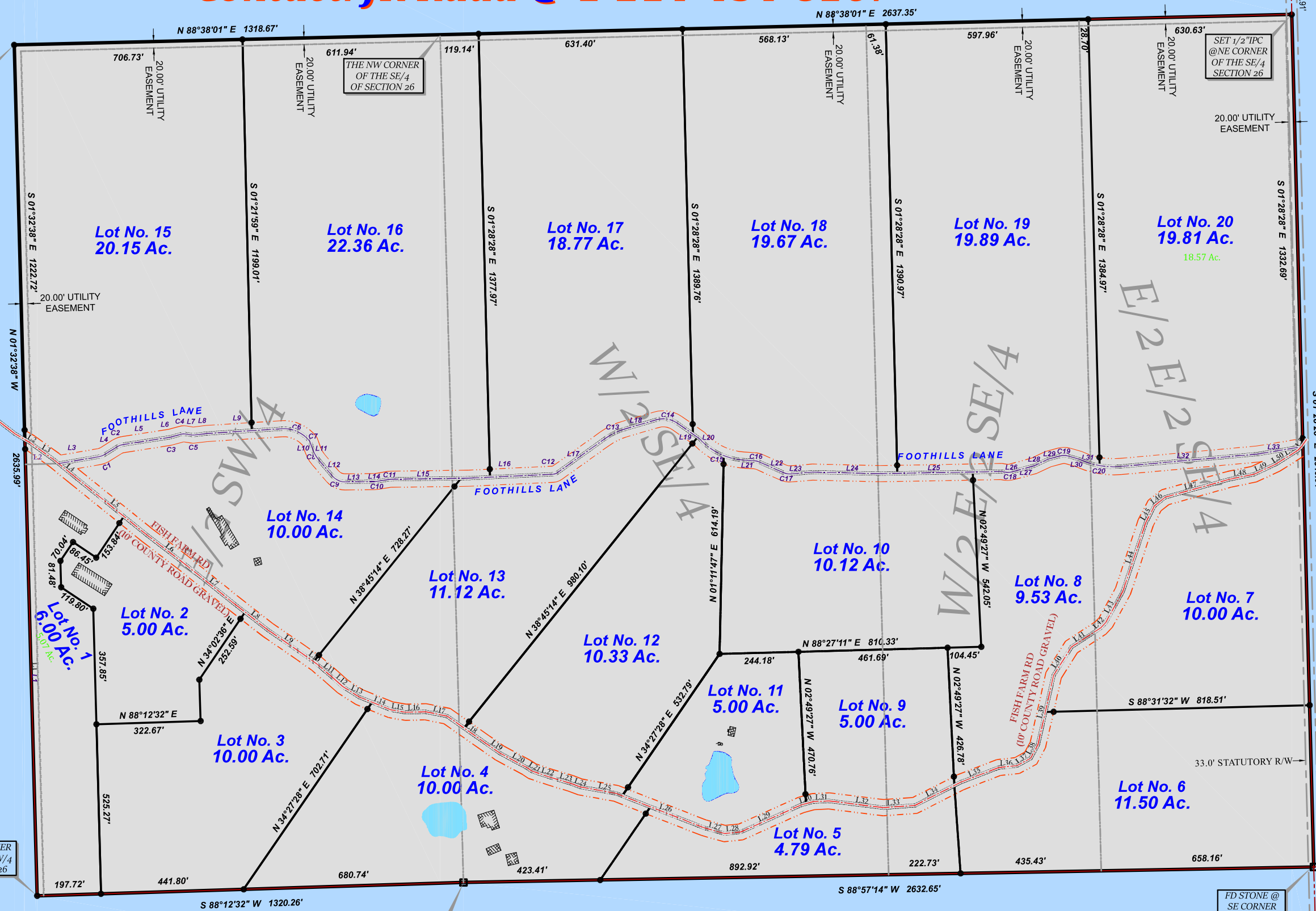
THE SW CORNER
 OF THE E/2 SW/4
 OF SECTION 26

VICINITY MAP
 SECTION 26

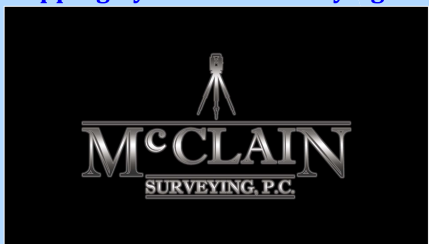


LINETYPE LEGEND

- Property Line
- Section Line
- Aliquot Line
- Deed Line
- Adjacent Deed Line
- Highway Centerline
- Highway Right-of-Way
- Existing Easement
- New Easement
- Road
- Existing Fence
- Edge of Water
- Lot-Block Line
- Building Limit Line
- Railroad Tracks



Mapping By: McClain Surveying P.C.



THE SW CORNER
 OF THE E/2 SW/4
 OF SECTION 26

FD STONE @
 SW CORNER
 OF THE SE/4
 SECTION 26

FD STONE @
 SE CORNER
 OF THE SE/4
 SECTION 26